

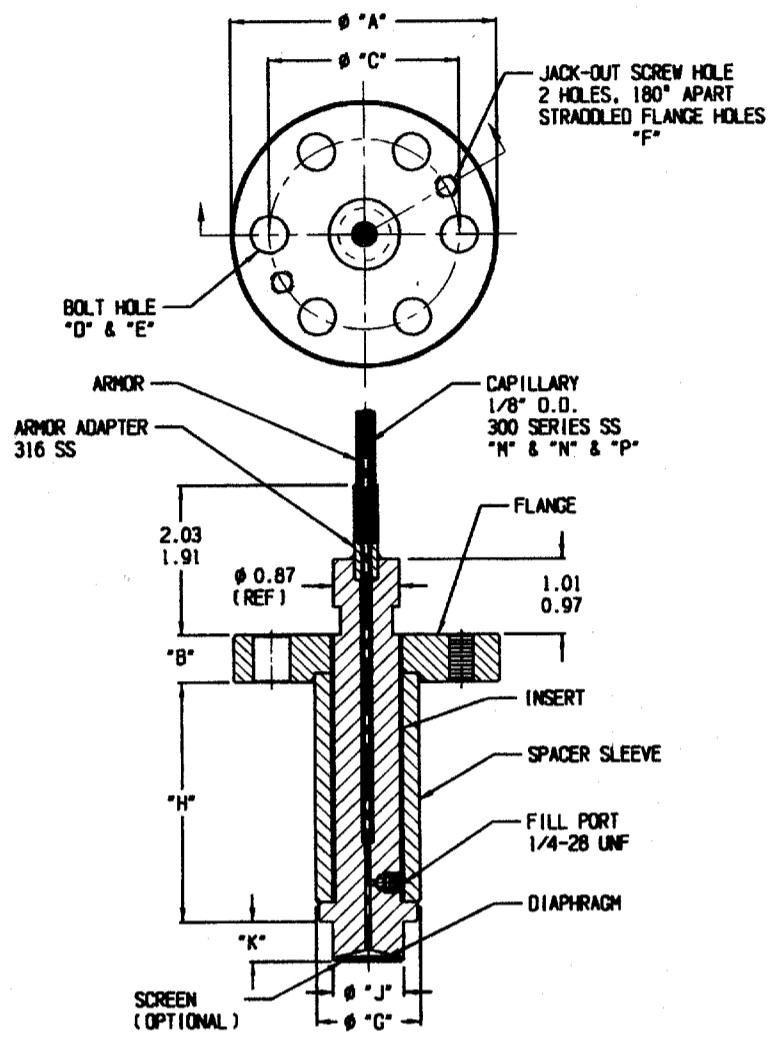
Model 200BD

Button Type Diaphragm Seals For Threaded or Flanged Off-Line Process Connections

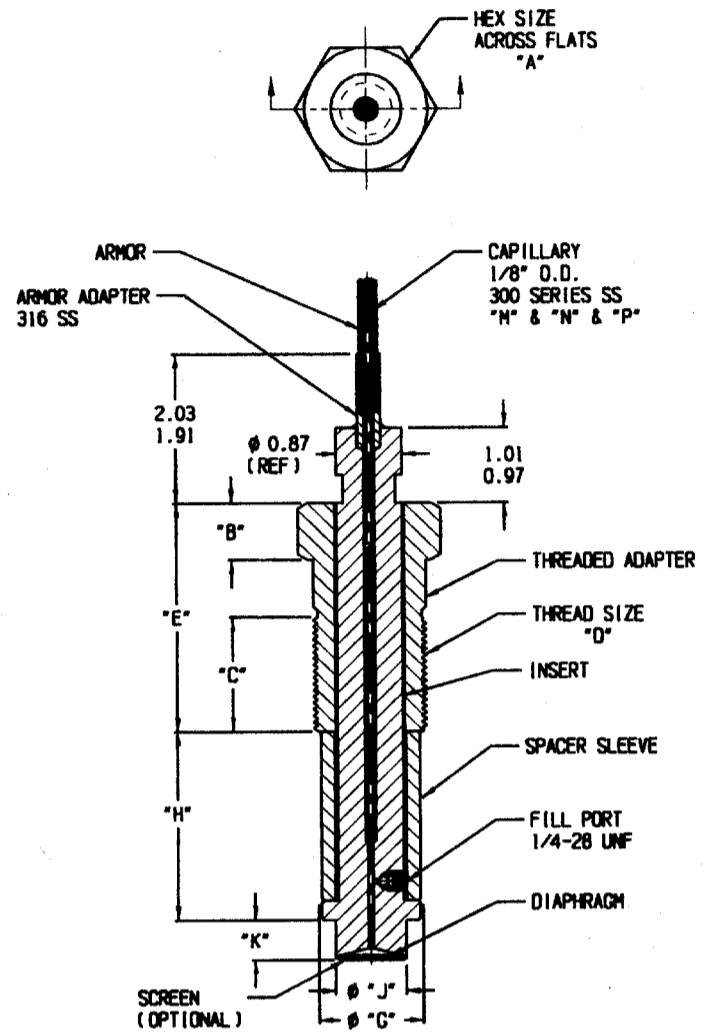
The 200BD (Button Diaphragm Type) Diaphragm Seals are customized units. Flange mounting and threaded adaptor styles are standard. Other configurations are available, consult the factory. Materials of construction, fill liquid and physical dimensioning of the seal are specified by the customer.

Schematics of the flanged and threaded adaptor styles are shown below. Complete the specification chart applicable to the seal style desired. If the desired seal style is not depicted below supply exact specifications and/or drawing(s) outlining the required seal design.

FLANGED



THREADED



Pressure vs. Displacement
0.830" diameter diaphragm

