

Model 360A

Diaphragm Seals for Threaded Off-Line Process Connections All Welded - Gasketless Design

Process Connection Sizes

1/4" NPTF through 1-1/2" NPTF

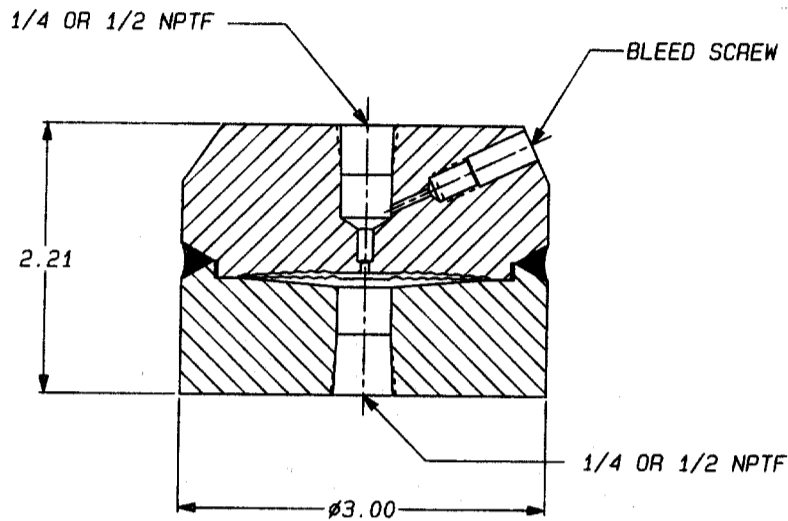
Maximum Working Pressure

2500 PSIG (17.25 MPa) @ 100°F (38°C)

(See Note 4)

Dimensional Data

() Dimensions in millimeters



Standard Features and Options

This threaded connection, off-line seal is an all welded, gasketless design. The diaphragm and lower material offerings are 316L Stainless Steel, Hastelloy C-276, and Titanium. The displacement capability of this series of diaphragm seal is 0.05 cubic inches utilizing a 2.4" (60.96mm) diameter diaphragm

The standard pressure rating is 2500 PSIG (17.25 MPa). The Seal-off feature is standard and flushing ports are optional.

Standard instrument connections are 1/4" NPTF and 1/2" NPTF with 1/4" Aminco as an option. The 1/4" Aminco is a straight thread and cone seat style instrument connection that reduces the amount of fill fluid in the body cavity reducing the amount of error caused by thermal expansion and contraction of fill fluid.

Offerings

Lower Materials: 316 Stainless Steel, Hastelloy C, Titanium

Upper Materials: Carbon Steel or 316 Stainless Steel (See Note Below)

Diaphragm Materials: 316 Stainless Steel, Hastelloy C, Titanium

Note: When Titanium diaphragm and lowers are required, a Titanium upper housing is standard.

CONTROL ENGINEERING DATA

DJTI 4 U 4 E T 0 N

(11) FILL LIQUID

N = (Standard)

(10) FLUSH CONNECTION (Not Shown)

0 = None (Standard)

1 = 1/8" NPT

2 = 1/4" NPT

3 = 1/4" NPT- DUAL

(9) UPPER HOUSING MATERIAL

C = Carbon Steel (Standard)

S = 316 Stainless Steel

T = Titanium (See Note 2)

(8) SEAL DIAPHRAGM MATERIAL

D = Hastelloy C-276

J = 316L Stainless Steel

E = Titanium - Grade 2 (See Notes 1 and 2)

(7) SEAL INSTRUMENT CONNECTION

1 = 1/4" NPTF with bleed

2 = 1/2" NPTF with bleed

4 = 1/4" AMINCO with bleed

(6) SEAL PRESSURE RATING @ 100°F (38°C) (See Note 4)

U = 2500 PSIG (17.25 MPa)

(5) SEAL PROCESS CONNECTION (See Note 4)

2 = 1/4" NPTF

3 = 3/8" NPTF

4 = 1/2" NPTF

5 = 3/4" NPTF

6 = 1" NPTF

7 = 1-1/4" NPTF

8 = 1-1/2" NPTF

(3-4) LOWER HOUSING MATERIAL (WETTED)

HC = Hastelloy C-276

S6 = 316 Stainless Steel

TI = Titanium - Grade 4 (See Notes 2 and 4)

(1-2) DIAPHRAGM SEAL DESIGN

DJ = 360A- Threaded Off-Line (All Welded - Gasketless Design)

CATALOG NUMBERS AS RECEIVED
FOR THE 360A SERIES MUST CONTAIN
FIFTEEN (11) CHARACTERS

Notes:

1. When a Titanium diaphragm is required, refer to Position 9 for proper upper housing material.
2. When a Titanium diaphragm is chosen in Position 9, then a Titanium upper housing is standard.
3. N.A.C.E. - Welded diaphragm seals with Hastelloy C-276 wetted materials of construction will meet the requirements of N.A.C.E. International Document MR-0175-1995. 316 Stainless Steel construction will NOT BE offered in a welded design as meeting N.A.C.E. MR-0175-1995 requirements as the weld area of the diaphragm seal will not meet the maximum hardness specifications within this document.
4. Diaphragm seals are not offered for lower housings with 3/4" NPTF and larger connections that are constructed of Titanium Grade 4 due to connection thread strength limitations.