

Model 360B

Diaphragm Seals for Flanged Off-Line Process Connections All Welded - Gasketless Design 1" (25.40mm) and 1 1/2" (38.10mm)

Process Connection Sizes

1" and 1-1/2"

ASME/ANSI Flange Sizes Up to 600#

Maximum Working Pressure

Conforms to Flange Pressure-Temperature Ratings per ASME/ANSI B16.5

Flange Faces (125 - 250 R_A Spiral Finish is Standard)

Raised Face, Non-Serrated, 125-250 RMS

Dimensional Data

Process Connection Size

	1"	1-1/2"
150#	E (108)	4.25 (127)
	F (57)	2.25 (57)
	G (32)	1.25 (35)
	H (51)	2.00 (73)
300#	E (124)	4.88 (155)
	F (57)	2.25 (57)
	G (35)	1.37 (38)
	H (51)	2.00 (73)

CONTROL ENGINEERING DATA

DKHC8 7 2 J S 2 N

(11) FILL LIQUID
N = (Standard)

(10) FLUSH CONNECTION (Not Shown)
0 = None (Standard)
1 = 1/8" NPTF
2 = 1/4" NPTF
3 = 1/4" NPTF- DUAL

(9) UPPER HOUSING MATERIAL
C = Carbon Steel (Standard)
S = 316 Stainless Steel
T = Titanium (See Notes 1 and 2)

(8) SEAL DIAPHRAGM MATERIAL (See Note 1)
D = Hastelloy C-276
J = 316L Stainless Steel
E = Titanium - Grade 2

(7) SEAL INSTRUMENT CONNECTION
1 = 1/4" NPTF with bleed
2 = 1/2" NPTF with bleed
4 = 1/4" AMINCO with bleed

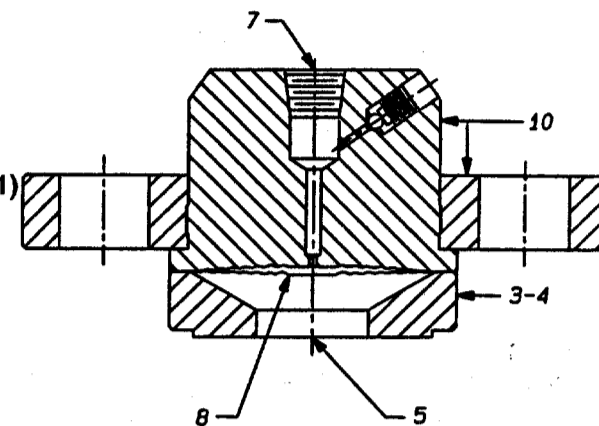
(6) SEAL FLANGE PRESSURE RATING
1 = 150#RF
4 = 300#RF
7 = 600#RF

(5) SEAL PROCESS CONNECTION
6 = 1"
8 = 1-1/2"

(3-4) LOWER HOUSING MATERIAL (WETTED)
HC = Hastelloy C-276
S6 = 316 Stainless Steel
TI = Titanium - Grade 4

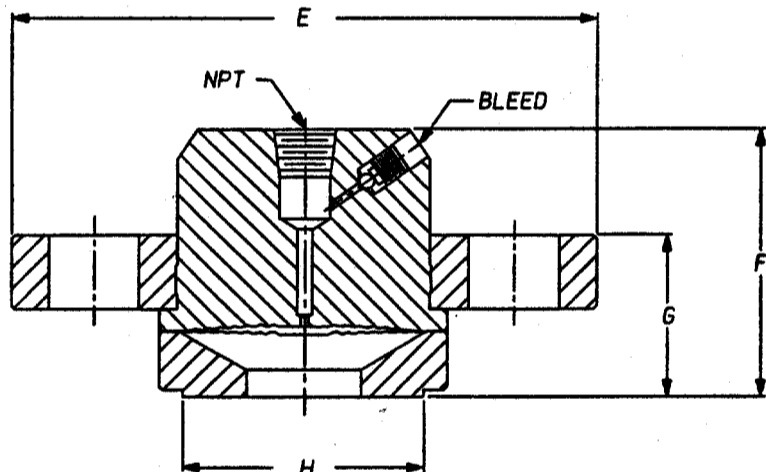
(1-2) DIAPHRAGM SEAL DESIGN
DK = 360B- Flanged Off-Line (All Welded - Gasketless Design)

CATALOG NUMBERS AS RECEIVED FOR THE 360B SERIES MUST CONTAIN ELEVEN (11) CHARACTERS



Notes:

- When a Titanium diaphragm is required, refer to Position 9 for proper upper housing material.
- When a Titanium diaphragm is chosen in Position 9, then a Titanium upper housing is standard. The non-wetted flange will be 316 Stainless Steel.
- N.A.C.E. - Welded diaphragm seals with Hastelloy C-276 wetted materials of construction will meet the requirements of N.A.C.E. International Document MR-0175-1995. 316 Stainless Steel construction will NOT BE offered in a welded design as meeting N.A.C.E. MR-0175-1995 requirements as the weld area of the diaphragm seal will not meet the maximum hardness specifications within this document.



Standard Features and Options

This flanged connection, off-line seal is an all welded, gasketless design. The raised face finish is supplied as a non-serrated surface to accommodate the use of spiral wound gaskets.

The diaphragm and lower material offerings are 316 Stainless Steel, Hastelloy C-276 and Titanium. The displacement capability of this series of diaphragm seal is 0.05 cubic inches utilizing a 2.4" (60.96mm) diameter diaphragm.

These seals are designed for direct connection to standard ANSI flanges in 1" (25.40mm) and 1-1/2" (38.10mm) sizes and up to 600# ratings. A flushing connection is optional and the seal-off feature is standard.

Standard instrument connections are 1/4" NPTF and 1/2" NPTF with the 1/4" Aminco as an option. The 1/4" Aminco is a straight thread and cone seat style instrument connection that reduces the amount of fill fluid in the body cavity reducing the amount of error caused by thermal expansion and contraction of fill fluid.

Offerings

Lower Materials: 316 Stainless Steel, Hastelloy C and Titanium

Upper Materials: Carbon Steel or 316 Stainless Steel (See Note Below). (Optional material is Titanium. Refer to Control Engineering Data and Note below for details.

Diaphragm Materials: 316L Stainless Steel, Hastelloy C and Titanium

Note: When Titanium diaphragm and lowers are required, a Titanium upper housing is standard. A 316 Stainless Steel flange (non-wetted) will be supplied.