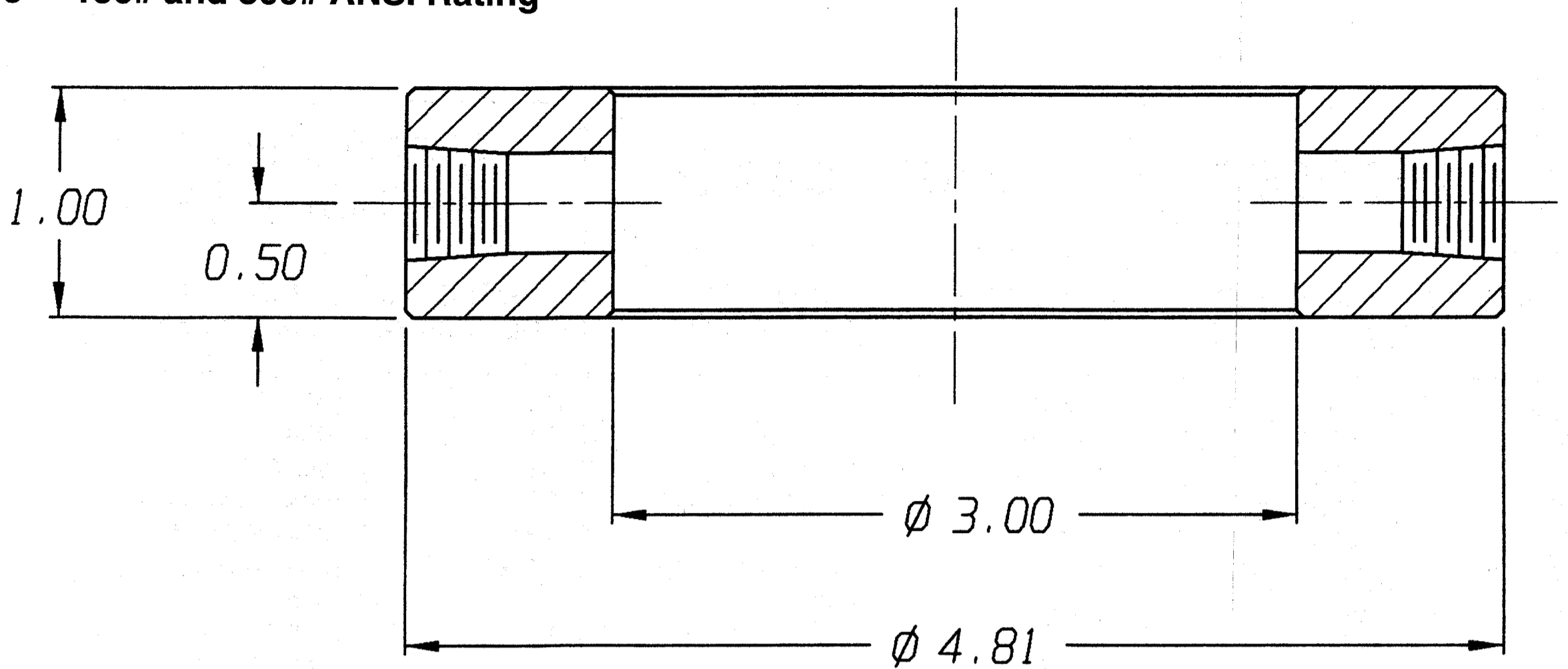


ACCESSORIES

Calibration Ring 3" - 150# and 300# ANSI Rating



SIZE	FLANGE RATING	PART NUMBER	FLUSH PORT(S)
2"	150# - 2500#	524070	1/4" NPT
		524071	1/4" NPT
		524072	DUAL 1/4" NPT
		524073	DUAL 1/4" NPT
3"		524054	1/4" NPT
		524055	1/4" NPT
		524056	DUAL 1/4" NPT
	524057	DUAL 1/4" NPT	