

Explosion Proof Hermetically Sealed (NEMA 4X, 7, 9 and 13)

DESCRIPTION

Versatile Nega-Rate® Belleville disc spring pressure switch for use in hazardous areas. Series 200P (piston sensor) for hydraulic applications up to 10000 psig system pressure.

Operating Pressure Data

Adjustable Range Number	Adjustable Set Point Range		Deadband† (approximate)		Maximum Recommended System Pressure	Proof Pressure
	Increasing	Decreasing	Min.	Max.		
2	20 to 220	14 to 202	6	18	3000	4500
3	200 to 1500	150 to 1275	50	225	7500	10000
6	500 to 3000	375 to 2700	125	300	7500	10000
8	1000 to 10000	800 to 9000	200	1000	10000*	15000*

All values given in psig.

†The deadband increases as the adjustable set point is increased.

*Diminished safety factor equal to approximately 2:1.

**Diminished safety factor equal to approximately 1.3:1.

Standard Specifications

Electrical

Snap action electrical switch assembly listed by Underwriters' Laboratories, Inc., Factory Mutual and CSA International

Electrical Connection

½ NPT male conduit connection with PVC insulated 18 AWG, 18" long leads

Pressure Connection

Wetted Material 1
¼ NPT Female

Temperature Range*

Ambient: -40F to +180 F
(-40C to +82 C)

Media: -40F to +300 F
(-40C to +149 C)

*Temperature limits change with O-Ring selection. See Electrical Assembly specification sheet for Temperature Class Ratings.

Adjustment

Concealed wrench flat adjustment with range scale

Shipping Weight

Approximately 3 pounds

Ordering Sequence — Select desired option for each category

OPTIONS

Wetted Material

1 Aluminum port and piston, Teflon seal and Buna-N O-Ring

Adjustable Range

2 14 psig dec. to 220 psig inc. (1.0 bar dec. to 15.2 bar inc.)

3 150 psig dec. to 1500 psig inc. (10.3 bar dec. to 103.4 bar inc.)

6 375 psig dec. to 3000 psig inc. (25.9 bar dec. to 206.9 bar inc.)

8 800 psig dec. to 10000 psig inc. (55.2 bar dec. to 689.5 bar inc.)

Electrical Form

C 11 amp, ¼ hp at 125 or 250 VAC; 5 amp resistive, 3 amp inductive at 28 VDC; .5 amp resistive at 125 VDC

CC 11 amp, ¼ hp at 125 or 250 VAC; 5 amp resistive, 3 amp inductive at 28 VDC; .5 amp resistive at 125 VDC

Enclosure

6 Explosion proof, hermetically-sealed electrical assembly, leads factory sealed, P/N 057-0770 (C Form) and P/N 057-0771 (CC Form); **Underwriters' Laboratories, Inc.** listed (File E56677), **CSA International** certified (File LR34146) and **Factory Mutual** approved (File J.I.1R5A9.AE) for Division 1 and 2; Class I, Groups A, B, C and D; Class II, Groups E, F and G Hazardous Locations; NEMA Type 7 and 9.

Miscellaneous

A Epoxy paint exterior — extra protection for severe environments

B Viton O-Ring

C EPR O-Ring

E 7/16" - 20 SAE Female Port

I ¾ NPT conduit box with terminal strip (Groups C & D only)

M Gold electrical contacts for extremely low current applications

N ATEX approval with CE Mark

R 72" Electrical free leads

W Stainless steel screws — exterior

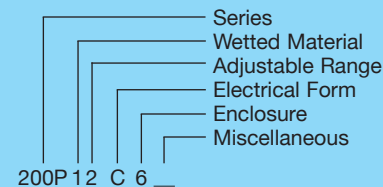
Special (Consult representative or factory)

- Non-catalog adjustable range and/or set point, deadband and proof pressure
- Media temperature capability from -65F to +400F

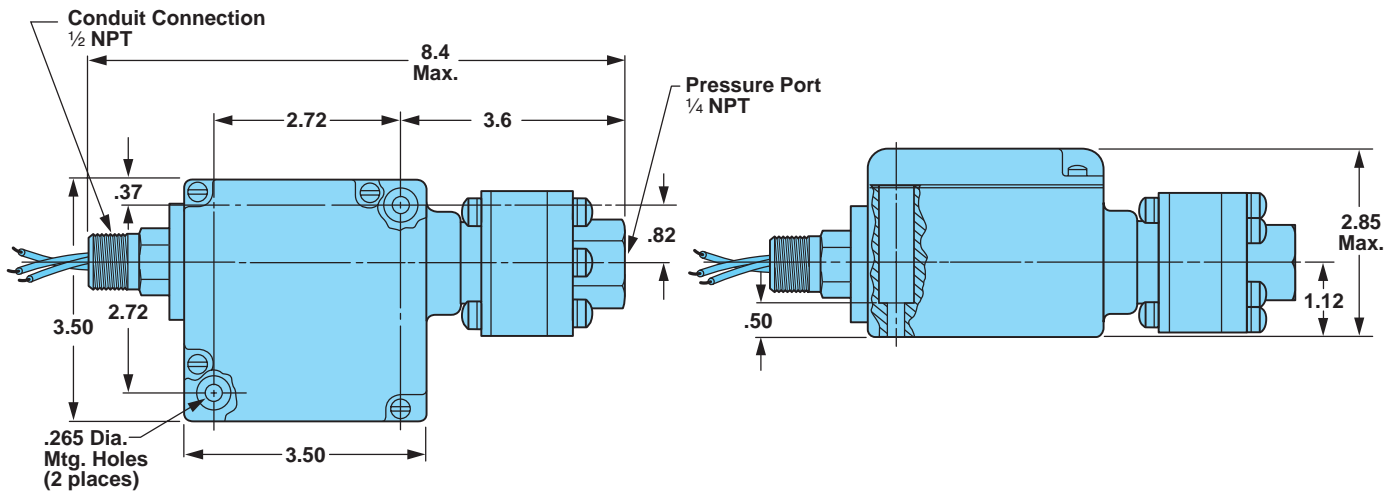
Ordering Procedure

- When factory presetting is desired, stipulate set point, increasing or decreasing
- Insert available option number or letter designation as required

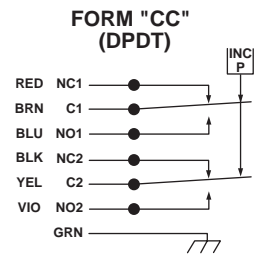
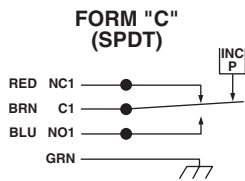
Example



Envelope Dimensions



Electrical Form



Basic Principles of Design

